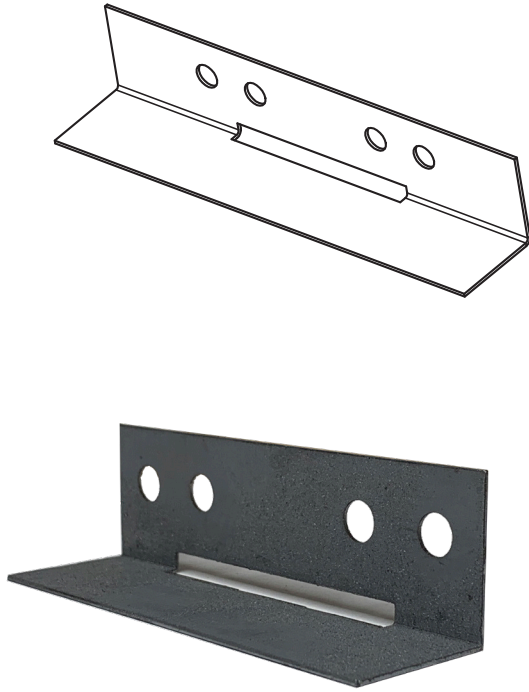


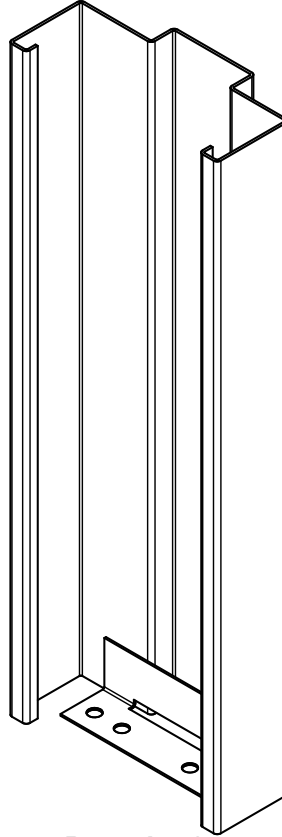
HOLLOW METAL ANCHOR GUIDE



HOLLOWMETAL



Base Anchor

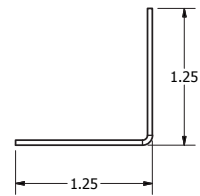
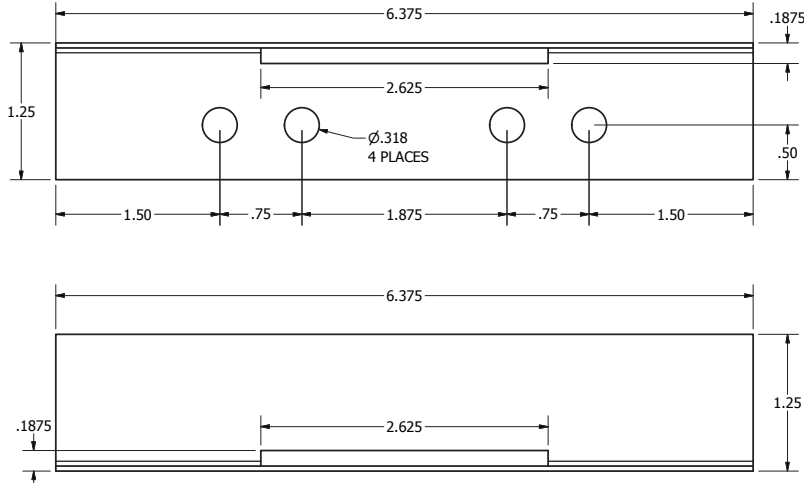


Base Anchor shown welded in 18 ga. galvaneal steel

STYLE | DESCRIPTION

STYLE:
Base Anchor shown welded in 18 ga. galvaneal steel

DESCRIPTION:
Base anchors will be welded into the base of the frame. This frame anchor can be used as a bottom anchor for knock-down drywall frames.



HOLLOWMETAL

1101 Technology Drive | Dothan, Alabama 36303
 800.633.7553 | 334.794.9184 fax
 www.dunbarton.com | sales@dunbarton.com

