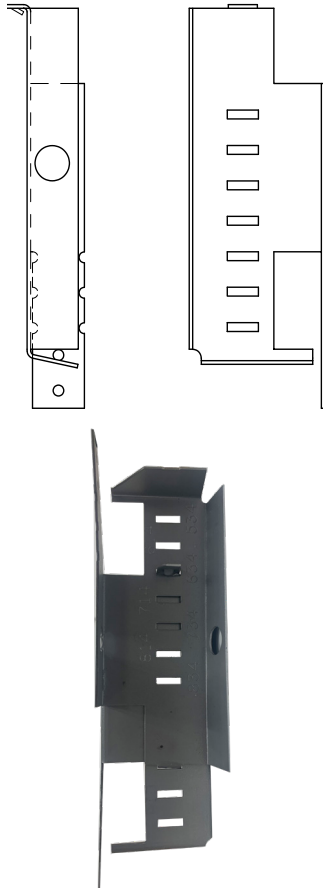


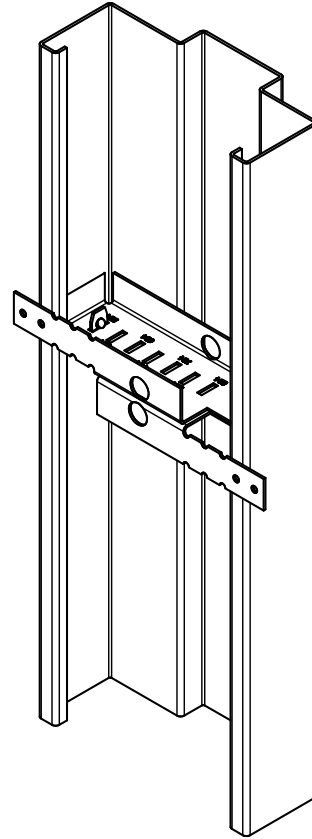
HOLLOW METAL ANCHOR GUIDE



HOLLOWMETAL



Multi-Purpose Anchor

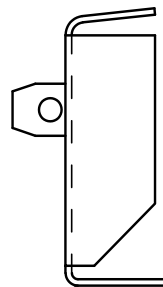


Multi-Purpose Anchor
and shown welded in frame

STYLE I DESCRIPTION

STYLE:
Multi-Purpose Anchor
and shown welded
in frame

DESCRIPTION:
Combination wood/steel
stud anchors are welded
or friction fit inside
the jamb. Additional
horizontal
straps allows fastening to
the face of the stud in
lieu of through the
throat. Typically used
when the
steel stud wall is
assembled prior to
setting the
frame.



HOLLOWMETAL

1101 Technology Drive | Dothan, Alabama 36303
800.633.7553 | 334.794.9184 fax
www.dunbarton.com | sales@dunbarton.com

