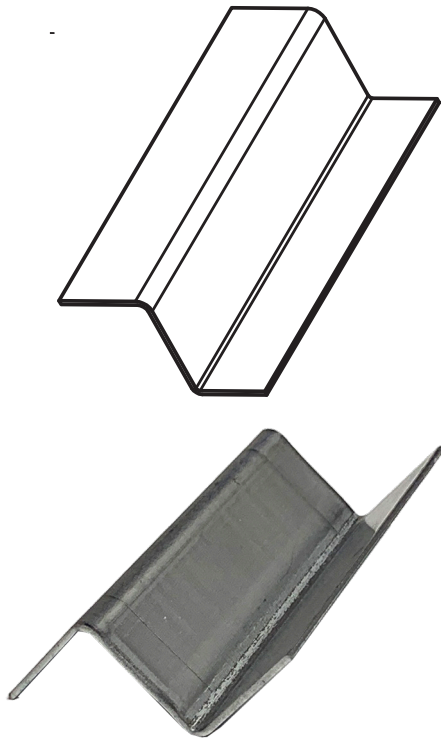


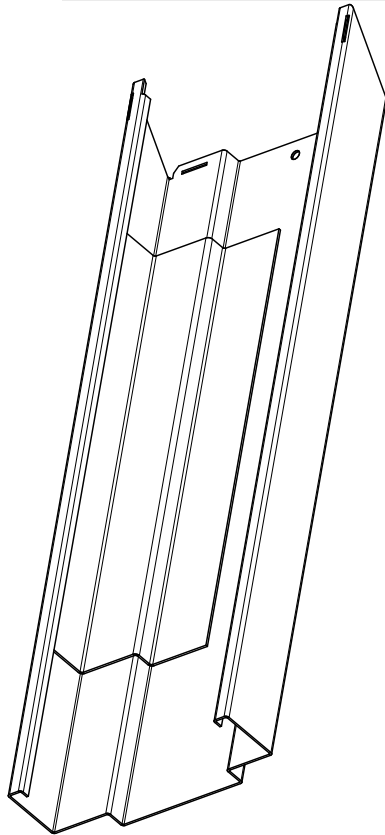
HOLLOW METAL ANCHOR GUIDE



HOLLOWMETAL



Z Style Anchor



Z Style Anchor shown welded in 18 ga. galvanized steel

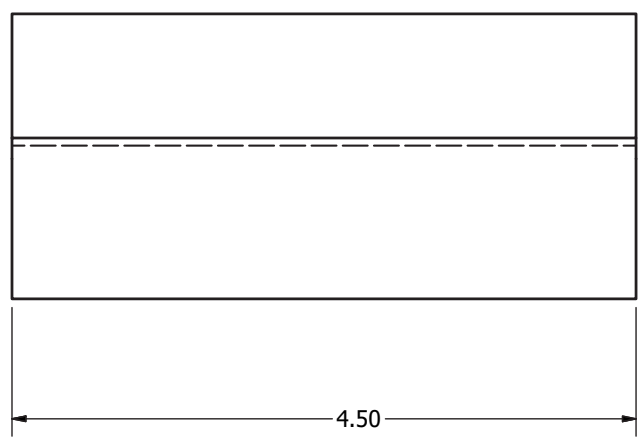
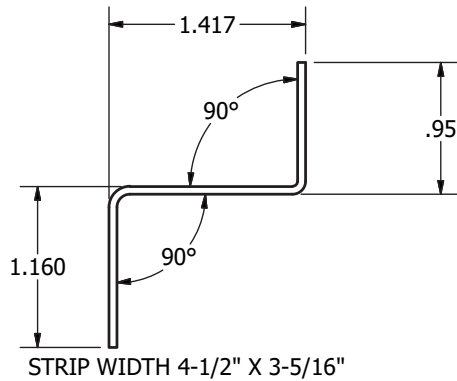
STYLE | DESCRIPTION

STYLE:
Z Style Anchor shown welded in 18 ga. galvanized steel

DESCRIPTION:
The anchors are welded to both rabbets inside the jamb. Steel studs are mechanically fastened to the exposed flange through the throat of the stud.

Available "Z"-Clips in three sizes:

- 3 1/2" for Jamb Depth up to 5 3/8";
- 5 1/2" for Jamb Depth up to 7 3/8";
- 2pcs of 3 1/2" for Jamb Depth over 7 3/8".



HOLLOWMETAL

1101 Technology Drive | Dothan, Alabama 36303
 800.633.7553 | 334.794.9184 fax
 www.dunbarton.com | sales@dunbarton.com

